



# RESTRICTORS

## Restrictor Specifications

The **FLOWGRID™** TYPE 24 Restrictor is an integral part of a pilot system for the FLOWGRID™ Regulator. It is usually located in the pilot supply and affects the response rate, stability, and sensitivity of the regulator. The restrictor is available in both steel and stainless steel constructions with a stainless steel rotor. The TYPE 24 Restrictor can be used in many other liquid and gas applications.



The **FLOWGRID™** TYPE 24 Restrictor

### SPECIFICATIONS

**PRESSURE RATING** : 1500 PSI  
**END CONNECTIONS** : 1/4" - 18 NPTF  
**TEMPERATURE (NITRILE O-RING)** : WORKING -20 F TO 150 F  
 : EMERGENCY -40 F TO 175 F  
**TEMPERATURE (VITON O-RING)** : 30 F TO 200 F

### FLOW COEFFICIENTS AND CONSTANTS

TYPE24 RESTRICTORS	C1	Cg (MIN SETTING / MAX SETTING)	CV (MIN SETTING / MAX SETTING)
STANDARD ROTOR	35	0.75/5.68	0.02/0.18
LARGE CAPACITY ROTOR	35	1.60/7.3	0.04/0.20

STOCK NUMBERS		
TYPE 24 RESTRICTOR NUMBER	STOCK NUMBER	WEIGHT
TYPE 24 (STEEL)	24	1/2 lbs.
TYPE 24S (STAINLESS STEEL)	24S	1/2 lbs.

### STANDARD CONSTRUCTION MATERIALS

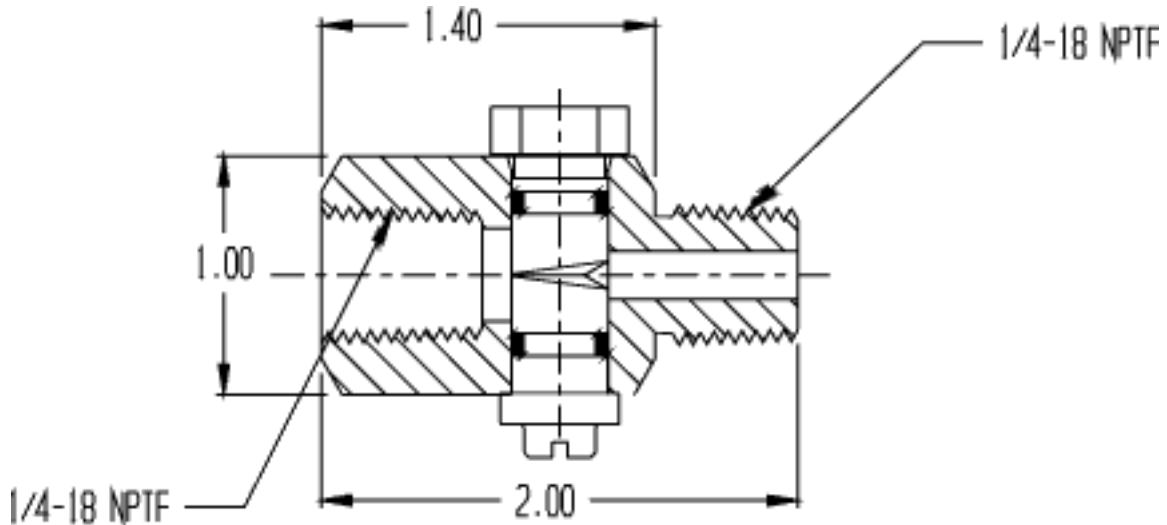
<b>BODY</b>	: CARBON STEEL ANSI 1215 (ZINC PLATED) & 316 STAINLESS STEEL
<b>ROTOR ASSEMBLY</b>	: 303 STAINLESS STEEL
<b>O-RING</b>	: NITRILE - STANDARD VITON - OPTIONAL



# Restrictor Specifications

# RESTRICTORS

## Dimensions



## Capacity vs. Restrictor Setting

