

P98H Dimension, Inches

Nominal Body Size, Inches	A		B	C (Maximum)	D	E (NPT)
	NPT or SWE	Flanged				
3/4, 1	5.0	14.0	1.31	9.69	6.22	1/2*

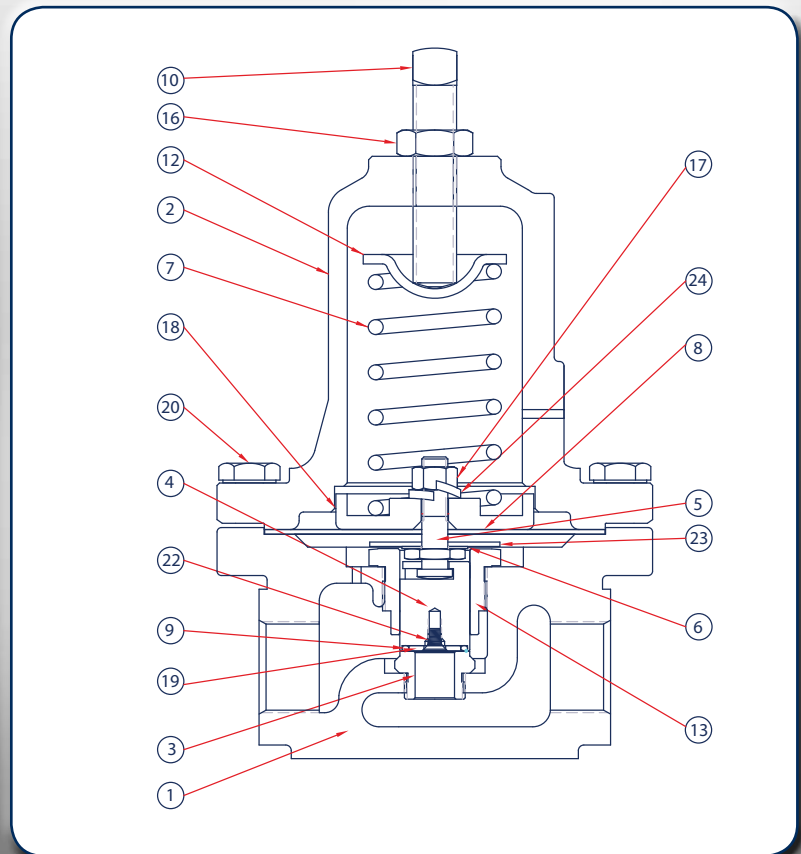
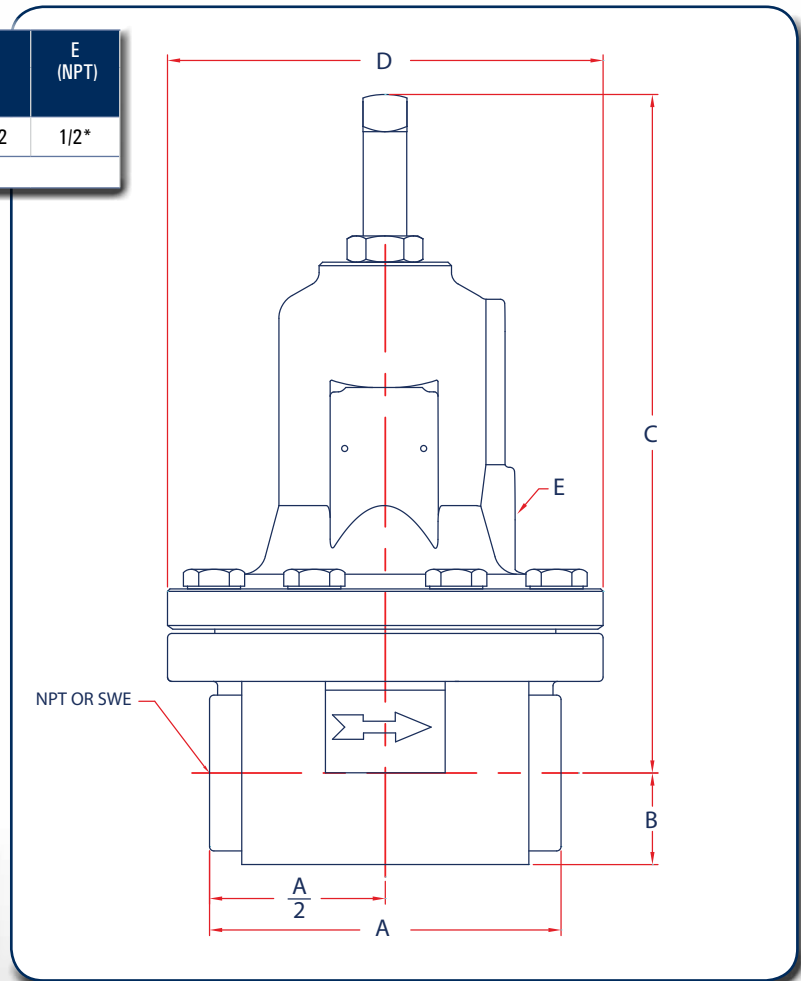
* Tapped Vent Option Only

Installation

These relief valves may be installed in any position, as long as flow will be in the same direction as that of the arrow cast on the body.

P98H Parts

Item		Description	Part Number
1	Body	Iron 3/4"	664-336-000
		Iron 1"	664-336-001
		Steel 3/4"	664-337-000
		Steel 1"	664-337-001
2	Bonnet	Steel drilled	604-241-000
		Iron drilled	604-242-000
3	Orifice	416 Stainless Steel/ Metal to Metal	688-020-000
		416 Stainless Steel w/Elastomer	688-027-000
4	Valve Plugs	416 Stainless Steel w/Elastomer	639-112-000
		416 Stainless Steel/ Metal to Metal	639-116-000
5	Pusher Post, 416 SS Elastomer		613-034-000
	Pusher Post, 416 SS Metal to Metal		613-036-000
6	Diaphragm Assembly Gasket		624-074-000
7	Range Springs	15-35 PSIG, Yellow	655-712-000
		25-75 PSIG, Green	655-712-001
		70-140 PSIG, Red	655-712-002
		130-200 PSIG, Blue	655-717-000
8	Diaphragm	Neoprene	618-083-000
		302 Stainless Steel (2)	618-085-000
9	O-ring (Nitrile) (Composite Seat Only)		649-269-004
10	Adjusting Screw		648-519-000
11	Diaphragm Flange Gasket (Metal to Metal units only)		624-072-000
12	Spring Guide		626-100-000
13	Valve Plug Guide, 416 SS		626-103-000
14	NACE Tag (Not Shown)		632-503-000
15	Nameplate (Not Shown)		632-524-000
16	Stem Jam Nut		634-181-000
17	Diaphragm Assembly Locknut		634-184-000
18	Piston (Diaphragm Head)		637-324-000
19	Retainer, O-ring (416SS) (Composite Seat Only)		643-199-000
20	Steel Build Screw (8 Required)		648-463-002
21	Drive Screw (Nameplate) (2 Required)		648-464-000
22	Valve Plug Machine Screw (SS) (Composite Seat Only)		648-522-000
23	Washer, 416 SS (Composite Seat Only)		662-220-000
24	Lockwasher (Split Ring)		662-221-000



P98H Water Relief Capacities in Gallons per Minute (l/min) with Neoprene Diaphragm

Nominal Body Size, Inches (DN)	Spring		Relief Pressure Setting PSIG (BAR)	Flow at Relief Setting, GPM (l/min.)	Press Buildup Over Relief Setting, PSIG (BAR)								
	Part Number	Color Code			5 (0.34)	7 (0.48)	10 (0.69)	15 (1.03)	20 (1.38)	30 (2.07)	50 (3.45)	75 (5.17)	100 (6.90)
3/4, 1 (20, 25)	655-712-000	Yellow	15 (1.03)	1.8 (6.81)	18 (68.1)	23.5 (88.9)	27 (102)	31 (117)	33 (125)	37 (140)	45 (170)	53 (201)	59 (223)
			25 (1.72)	1.8 (6.81)	26 (98.4)	29 (110)	33 (125)	38 (144)	41 (155)	45 (170)	53 (201)	61 (231)	67 (254)
			35 (2.41)	1.8 (6.81)	32 (121)	34.5 (131)	37.5 (142)	42 (159)	45 (170)	49.5 (187)	56 (212)	64 (242)	70 (265)
	655-712-001	Green	35 (2.41)	1.5 (5.68)	20 (75.7)	25 (94.6)	28 (106)	33 (125)	37 (140)	44 (167)	50 (189)	57 (216)	63 (238)
			50 (3.45)	1.5 (5.68)	25 (94.6)	31 (117)	37 (140)	42.5 (161)	47 (178)	52 (197)	58 (220)	65 (246)	71.0 (269)
			75 (5.17)	1.5 (5.68)	35 (132)	41 (155)	45 (170)	50 (189)	53 (201)	58 (220)	63.5 (240)	68.5 (259)	74 (280)
	655-712-002	Red	75 (5.17)	1.3 (4.92)	19 (71.9)	25 (94.6)	32 (121)	37 (140)	41 (155)	47 (178)	57 (216)	66.5 (252)	72 (273)
			100 (6.90)	1.3 (4.92)	22 (83.3)	29 (110)	35 (132)	43 (163)	48.5 (184)	57 (216)	66.5 (252)	73 (276)	78 (295)
			125 (8.62)	1.3 (4.92)	27 (102)	34.5 (131)	42 (159)	50.5 (191)	57 (216)	67 (254)	73.5 (278)	78 (295)	83 (314)
	655-717-000	Blue	150 (10.34)	1 (3.78)	15 (56.8)	20 (75.7)	27 (102)	39 (148)	48 (182)	62 (235)	78 (295)	83 (314)	88 (333)
			175 (12.07)	1 (3.78)	19 (71.9)	24 (90.8)	32 (121)	50 (189)	60 (227)	72 (273)	82 (310)	88.5 (335)	94 (356)
			200 (13.79)	1 (3.78)	22 (83.3)	27 (102)	36 (136)	53 (201)	65 (246)	78 (295)	88 (333)	93 (352)	98 (371)

P98H Water Relief Capacities in Gallons per Minute (l/min) with Metal Diaphragm

Nominal Body Size, Inches (DN)	Spring		Relief Pressure Setting PSIG (BAR)	Flow at Relief Setting, GPM (l/min.)	Press Buildup Over Relief Setting, PSIG (BAR)								
	Part Number	Color Code			5 (0.34)	7 (0.48)	10 (0.69)	15 (1.03)	20 (1.38)	30 (2.07)	50 (3.45)	75 (5.17)	100 (6.90)
3/4, 1 (20, 25)	655-712-000	Yellow	15 (1.03)	1.8 (6.81)	6 (22.7)	13 (49.2)	16 (60.6)	20 (75.7)	26 (98.4)	31 (117)	37 (140)	44 (167)	49 (185)
			25 (1.72)	1.8 (6.81)	13 (49.2)	16 (60.6)	19.5 (73.8)	24 (90.8)	32 (121)	35 (132)	40 (151)	46 (174)	50 (189)
			35 (2.41)	1.8 (6.81)	16 (60.9)	19 (71.9)	23 (87.1)	28 (106)	33 (125)	37 (140)	41 (155)	47 (178)	51 (193)
	655-712-001	Green	35 (2.41)	1.5 (5.68)	8 (30.3)	14 (53.0)	16.5 (62.5)	21 (79.5)	23 (87.1)	29.5 (112)	33 (125)	37 (140)	41 (155)
			50 (3.45)	1.5 (5.68)	11 (41.6)	15 (56.8)	18.5 (70.0)	24 (90.8)	28.5 (108)	35.5 (134)	44 (167)	49 (185)	53 (201)
			75 (5.17)	1.5 (5.68)	14 (53.0)	20 (75.7)	26 (98.4)	33 (125)	37 (140)	42.5 (161)	50 (189)	58 (220)	62 (235)
	655-712-002	Red	75 (5.17)	1.3 (4.92)	7 (26.5)	10 (37.9)	14 (53.0)	20 (75.7)	26 (98.4)	35 (132)	46 (174)	55 (208)	58 (220)
			100 (6.90)	1.3 (4.92)	9 (34.1)	12 (45.4)	18 (68.1)	25.5 (96.5)	32 (121)	41 (155)	54 (204)	62 (235)	68 (257)
			125 (8.62)	1.3 (4.92)	11 (41.6)	14.5 (54.9)	20 (75.7)	30 (114)	38 (144)	50 (189)	60.5 (229)	67.5 (255)	72 (273)
	655-717-000	Blue	150 (10.34)	1 (3.78)	7 (26.5)	9 (34.1)	12 (45.4)	17.5 (66.2)	23 (87.1)	34 (129)	51 (193)	66 (250)	76 (288)
			175 (12.07)	1 (3.78)	8 (30.3)	10 (37.9)	14 (53.0)	20.5 (77.6)	27 (102)	39 (148)	59 (223)	74 (280)	81 (307)
			200 (13.79)	1 (3.78)	9 (34.1)	12 (45.4)	17 (64.3)	24.5 (92.7)	32.5 (123)	47 (178)	66 (250)	79 (299)	85 (322)

P98H Steam Relief Capacities in Pounds per Hour (kg/h) **with Metal Diaphragm Only**

Nominal Body Size, Inches (DN)	Spring		Relief Pressure Setting PSIG (BAR)	Flow at Relief Setting, LB/H (kg/h)	Press Buildup Over Relief Setting, PSIG (BAR)								
	Part Number	Color Code			5 (0.34)	7 (0.48)	10 (0.69)	15 (1.03)	20 (1.38)	30 (2.07)	50 (3.45)	75 (5.17)	100 (6.90)
3/4, 1 (20, 25)	655-712-000	Yellow	15 (1.03)	25 (11.3)	91 (41.3)	135 (61.2)	180 (81.6)	260 (118)	360 (163)	440 (200)	580 (263)	770 (349)	950 (431)
			25 (1.72)	25 (11.3)	120 (54.4)	180 (81.6)	230 (104)	330 (150)	395 (179)	510 (231)	660 (299)	850 (386)	1030 (467)
			35 (2.41)	25 (11.3)	135 (61.2)	190 (86.2)	250 (113)	360 (163)	455 (206)	590 (268)	730 (331)	920 (417)	1100 (499)
	655-712-001	Green	35 (2.41)	25 (11.3)	68 (30.8)	110 (49.9)	160 (72.6)	230 (104)	330 (150)	500 (227)	625 (284)	785 (356)	940 (426)
			50 (3.45)	25 (11.3)	110 (48.9)	160 (72.6)	210 (95.3)	340 (154)	430 (195)	640 (290)	910 (413)	1100 (499)	1300 (590)
			75 (5.17)	25 (11.3)	180 (81.6)	230 (104)	320 (145)	445 (202)	630 (286)	820 (372)	1100 (499)	1350 (612)	1550 (703)
	655-712-002	Red	75 (5.17)	25 (11.3)	130 (59.0)	155 (70.3)	210 (95.3)	320 (145)	410 (186)	590 (268)	1050 (476)	1350 (612)	1550 (703)
			100 (6.90)	25 (11.3)	135 (61.2)	160 (72.6)	230 (104)	350 (159)	455 (206)	680 (308)	1180 (535)	1600 (726)	1800 (816)
			125 (8.62)	25 (11.3)	145 (65.8)	205 (93.0)	280 (127)	450 (204)	540 (245)	860 (390)	1400 (635)	1770 (803)	2000 (907)
	655-717-000	Blue	150 (10.34)	25 (11.3)	86 (39.0)	135 (61.2)	200 (90.7)	340 (154)	455 (206)	720 (327)	1270 (576)	1900 (862)	2200 (998)
			175 (12.07)	25 (11.3)	91 (41.3)	145 (65.8)	230 (104)	350 (159)	500 (227)	770 (349)	1350 (612)	2000 (907)	2400 (1089)
			200 (13.79)	25 (11.3)	160 (72.6)	225 (102)	320 (145)	450 (204)	630 (286)	950 (431)	1600 (726)	2300 (1043)	2700 (1225)

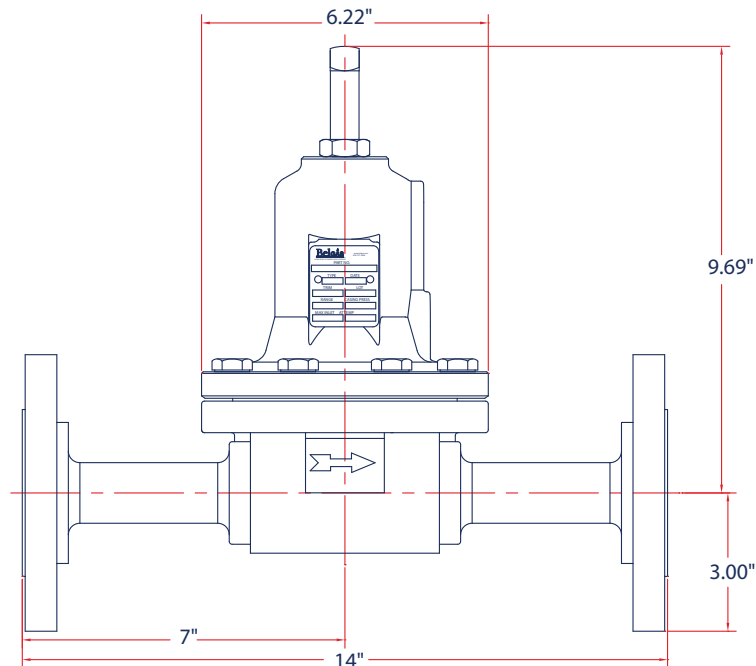
P98H Air Relief Capacities in SCFH (Nm³/h) **with Neoprene Diaphragm**

Nominal Body Size, Inches (DN)	Spring		Relief Pressure Setting PSIG (BAR)	Flow at Relief Setting, SCFH (Nm ³ /h)	Press Buildup Over Relief Setting, PSIG (BAR)								
	Part Number	Color Code			5 (0.34)	7 (0.48)	10 (0.69)	15 (1.03)	20 (1.38)	30 (2.07)	50 (3.45)	75 (5.17)	100 (6.90)
3/4, 1 (20, 25)	655-712-000	Yellow	15 (1.03)	500 (13.4)	5000 (134)	6500 (174)	7700 (206)	9500 (247)	9900 (265)	11,900 (319)	15,900 (426)	20,900 (566)	25,900 (694)
			25 (1.72)	500 (13.4)	7000 (188)	8500 (228)	9700 (260)	12,000 (322)	13,000 (348)	13,900 (373)	17,900 (480)	22,900 (614)	27,900 (748)
			35 (2.41)	500 (13.4)	9000 (241)	10,500 (281)	12,000 (322)	13,000 (348)	14,000 (375)	17,000 (456)	20,800 (557)	26,000 (697)	31,000 (831)
	655-712-001	Green	35 (2.41)	500 (13.4)	4500 (121)	5500 (147)	8500 (228)	13,000 (348)	14,000 (375)	17,000 (456)	20,800 (557)	26,000 (697)	31,000 (831)
			50 (3.45)	500 (13.4)	6000 (161)	7000 (188)	11,500 (308)	15,500 (415)	17,000 (456)	20,000 (536)	24,000 (643)	29,000 (777)	34,000 (911)
			75 (5.17)	500 (13.4)	7500 (201)	10,000 (268)	15,000 (402)	20,000 (536)	22,000 (590)	25,000 (670)	29,000 (777)	34,000 (911)	39,000 (1045)
	655-712-002	Red	75 (5.17)	500 (13.4)	5000 (134)	6500 (174)	10,000 (268)	15,000 (402)	20,000 (536)	24,000 (643)	29,000 (777)	34,000 (911)	39,000 (1045)
			100 (6.90)	500 (13.4)	6500 (174)	8500 (228)	13,000 (348)	20,000 (536)	24,000 (643)	29,000 (777)	34,000 (911)	39,000 (1045)	45,000 (1206)
			125 (8.62)	500 (13.4)	7000 (188)	9000 (241)	14,500 (389)	23,000 (616)	28,000 (750)	33,000 (884)	39,000 (1045)	45,000 (1206)	50,000 (1340)
	655-717-000	Blue	150 (10.34)	500 (13.4)	4700 (126)	6000 (161)	9000 (241)	14,000 (375)	19,000 (509)	28,000 (750)	42,000 (1126)	50,000 (1340)	56,000 (1501)
			175 (12.07)	500 (13.4)	5700 (153)	7000 (188)	10,500 (281)	17,000 (456)	23,000 (616)	34,000 (911)	49,000 (1313)	56,000 (1501)	61,000 (1635)
			200 (13.79)	500 (13.4)	5700 (153)	7500 (201)	12,000 (322)	18,000 (482)	24,000 (643)	36,000 (965)	54,000 (1447)	61,000 (1635)	66,000 (1769)

P98H Air Relief Capacities in SCFH (Nm³/h) with Metal Diaphragm

Nominal Body Size, Inches (DN)	Spring		Relief Pressure Setting PSIG (BAR)	Flow at Relief Setting, SCFH (Nm ³ /h)	Press Buildup Over Relief Setting, PSIG (BAR)								
	Part Number	Color Code			5 (0.34)	7 (0.48)	10 (0.69)	15 (1.03)	20 (1.38)	30 (2.07)	50 (3.45)	75 (5.17)	100 (6.90)
3/4, 1 (20, 25)	655-712-000	Yellow	15 (1.03)	500 (13.4)	2000 (53.6)	3000 (80.4)	4000 (107)	5700 (153)	8500 (228)	10,400 (279)	13,900 (373)	18,000 (482)	22,500 (603)
			25 (1.72)	500 (13.4)	2700 (72.4)	4000 (107)	5200 (139)	7200 (193)	8700 (233)	12,100 (324)	15,600 (418)	20,000 (536)	24,000 (643)
			35 (2.41)	500 (13.4)	3000 (80.4)	4200 (113)	5500 (147)	8000 (214)	10,000 (268)	13,000 (349)	17,300 (464)	21,700 (582)	26,000 (697)
	655-712-001	Green	35 (2.41)	500 (13.4)	1500 (40.2)	2500 (67.0)	3500 (93.8)	5200 (139)	7200 (193)	11,000 (295)	17,000 (456)	21,600 (579)	26,000 (697)
			50 (3.45)	500 (13.4)	2500 (67.0)	3500 (93.8)	4700 (126)	7500 (201)	9500 (255)	14,000 (375)	20,000 (536)	24,000 (643)	28,600 (766)
			75 (5.17)	500 (13.4)	4000 (107)	5200 (139)	7000 (188)	10,000 (268)	14,000 (375)	18,000 (482)	25,000 (670)	30,000 (804)	35,000 (938)
	655-712-002	Red	75 (5.17)	500 (13.4)	2900 (77.7)	3400 (91.1)	4700 (126)	7000 (188)	9200 (247)	13,000 (348)	23,000 (616)	30,000 (804)	35,000 (938)
			100 (6.90)	500 (13.4)	3000 (80.4)	3500 (93.8)	5000 (134)	7700 (206)	10,000 (268)	15,000 (402)	26,000 (697)	35,000 (938)	40,000 (1072)
			125 (8.62)	500 (13.4)	3200 (85.8)	4500 (121)	6200 (166)	9500 (255)	12,000 (322)	19,000 (509)	31,000 (831)	39,000 (1045)	45,000 (1206)
	655-717-000	Blue	150 (10.34)	500 (13.4)	1900 (50.9)	3000 (80.4)	4500 (121)	7500 (201)	10,000 (268)	16,000 (429)	28,000 (750)	42,000 (1126)	50,000 (1340)
			175 (12.07)	500 (13.4)	2000 (53.6)	3200 (85.8)	5000 (134)	7700 (206)	11,000 (295)	17,000 (456)	30,000 (804)	45,000 (1206)	54,000 (1447)
			200 (13.79)	500 (13.4)	3500 (93.8)	5000 (134)	7000 (188)	10,000 (268)	14,000 (375)	21,000 (563)	35,000 (938)	52,000 (1394)	60,000 (1608)

P98H Flanged Unit Dimension, Inches



Notes:

