

P1808 Pilot-Operated Relief Valve or Backpressure Regulators

The P1808 pilot-operated relief valve or back pressure regulator is used in gas or liquid service to maintain pressure on oil and gas separators, and in pressure relief applications in gas distribution systems. The function of the P1808 is controlled by the type of pilot installed on the unit. A PL82 series pilot regulator is used in back pressure applications, and only bleeds when repositioning the main valve. A PL82B series regulator is used in pressure relief applications, and exhausts the entire time the inlet pressure is above the set pressure. This allows the unit to achieve wide-open flow more easily. The unit controls pressures from 3 to 125 PSIG (0.21 to 8.6 Bar), and the set pressure can be adjusted for individual requirements by the adjusting screw on the pilot.

Applications

- Gas or Liquid Service
- Gas Separators
- Distribution Relief Device

Features

- Compact Design
- Pilot Operated
- High Flow Capacity



P1808 Part Matrix

P1808	16									
	↑↑↑↑↑↑↑↑↑↑									
	16									2" NPT Standard
										Output Pressure Ranges
		018								3 to 18 PSIG
		040								15 to 40 PSIG
		125								35 to 125 PSIG
										Regulator Setup
			B							Back Pressure Regulator
			R							Relief Valve
										Accessories
				0						None
				1						Gauge
				2						Filter
				3						Filter and Gauge
										Pilot Trim Material
				0						Nitrile (NBR)
				2						Fluorocarbon (FKM)
										Upstream Control
				0						No
				1						Yes
										Body Material
				0						Cast Iron (Standard)
				2						WCB Steel

Materials of Construction

Body, Bonnet, Diaphragm Case	
P1808 Body	Ductile Iron or WCB Steel
Diaphragm Plates and Diaphragm Casings	Zinc-plated steel
Diaphragm	Nitrile (NBR)
O-Rings	Nitrile (NBR)
Gaskets	Nylon
Backup Rings	Polytetrafluoroethylene (PTFE)
Spring	Zinc-plated Steel (Standard)
Valve Plug Guide	Stainless Steel
PL82 Series Pilot	
Body	Aluminum
Spring Case	Aluminum
Body Plug	Aluminum
Valve Plug	Nitrile (NBR)
Spring	Zinc-plated Steel
Diaphragm	Nitrile (NBR) or Fluorocarbon (FKM)
Spring Seat	Zinc-plated Steel
Stem Guide	Stainless Steel
Adjusting Screw	Zinc-plated Steel
O-Rings	Nitrile (NBR) or Fluorocarbon (FKM)
Closing Cap	Aluminum
Connector Cap	Stainless Steel
Mounting Parts	
Tubing	Stainless Steel
Fittings	Stainless Steel
Pipe Tees	Stainless Steel
Pipe Nipples	Stainless Steel
Options	
Upstream control line construction	
Pressure gauge (0 to 160 PSIG / 0 to 11.0 BAR / 0 to 1.1 MPa)	
P590 Series Pilot Supply Filter	
Approximate Weights	
Type 1808	22 pounds (10 kg)

P1808 Flow and Sizing Coefficients

Type	Flow Coefficients (Wide-Open)		C ₁	K _m	IEC Sizing Coefficients		
	C _g	C _v			X _T	F _L	F _D
1808	1410	40.1	35.2	0.79	0.78	0.89	0.50

P1808 Inlet Pressure

Maximum Inlet Pressure	150 PSIG
------------------------	----------

P1808 Capacities¹ Using Internal Control Line and a Pilot with High-Gain Restriction

Relief Pressure Setting		Capacity in Thousands of SCFH (Nm ³ /h) of 0.6 Specific Gravity Natural Gas							
		Pressure Build-up in PSIG Over Relief Pressure Setting							
PSIG	BAR	2	6	10	15	20	25	30	
5	0.34	32	46	50	61	70	80	89	
12	0.83	41	55	65	74	84	93	102	
20	1.4	56	73	80	89	99	108	117	
30	2.1	67	89	99	108	117	127	136	
40	2.8	85	105	120	127	136	145	154	
50	3.5	94	120	137	145	154	163	172	
60	4.1	..	135	152	163	172	181	190	
70	4.8	..	150	168	161	190	200	209	
80	5.5	..	161	180	200	201	218	227	
90	6.2	..	170	192	213	227	236	245	
100	6.9	..	183	209	231	245	254	263	
110	7.6	..	197	223	246	263	276	281	
125	8.6	..	201	241	267	284	298	..	

.. Shaded areas indicate capacities with main valve wide-open.

1. Capacities based on 0 PSIG (0 BAR) outlet pressure. If outlet pressure is not 0 PSIG (0 BAR), shaded capacities may be recalculated using the wide-open C_g and the desired pressure drop.

P1808 Capacities Using Optional External Control Line and a Pilot with High-Gain Restriction

Set Pressure Range, PSIG (BAR)	Set Pressure ¹		Buildup Over Set Pressure to Begin Opening Main Valve ²		Buildup Over Set Pressure to Fully Open Main Valve ³		Pressure Drop Below Set Pressure to Reset Pilot		Capacities of 0.6 Specific Gravity Natural Gas ⁴	
	PSIG	BAR	PSIG	BAR	PSIG	BAR	PSIG	BAR	SCFH	Nm ³ /h
3 to 18 (0.21 to 1.2)	3	0.21	0.9	0.06	6.0	0.41	1.0	0.07	37,000	992
	5	0.35	0.7	0.05	4.0	0.28			37,000	992
	10	0.69	0.7	0.05	1.2	0.08			42,000	1126
	15	1.0	0.7	0.05	1.0	0.07			52,000	1394
15 to 40 (1.0 to 2.8)	15	1.0	0.8	0.05	1.1	0.07	1.0	0.07	53,000	1420
	20	1.4							63,000	1688
	30	2.1							82,000	2198
	40	2.8							101,000	2707
35 to 125 (2.4 to 8.6)	40	2.8	1.4	0.09	1.9	0.13	1.0	0.07	102,000	2734
	50	3.5							121,000	3243
	60	4.1							139,000	3725
	70	4.8							157,000	4208
	80	5.5	1.6	0.11	2.2	0.15	1.0	0.07	176,000	4717
	90	6.2							194,000	5199
	100	6.9							213,000	5708
	110	7.6							231,000	6191
125	8.6	258,000	6914							

1. Set pressure is defined as the pressure at which the pilot exhaust starts to bubble (discharge).

2. Crack pressure is the inlet pressure at which the main valve starts audible flow.

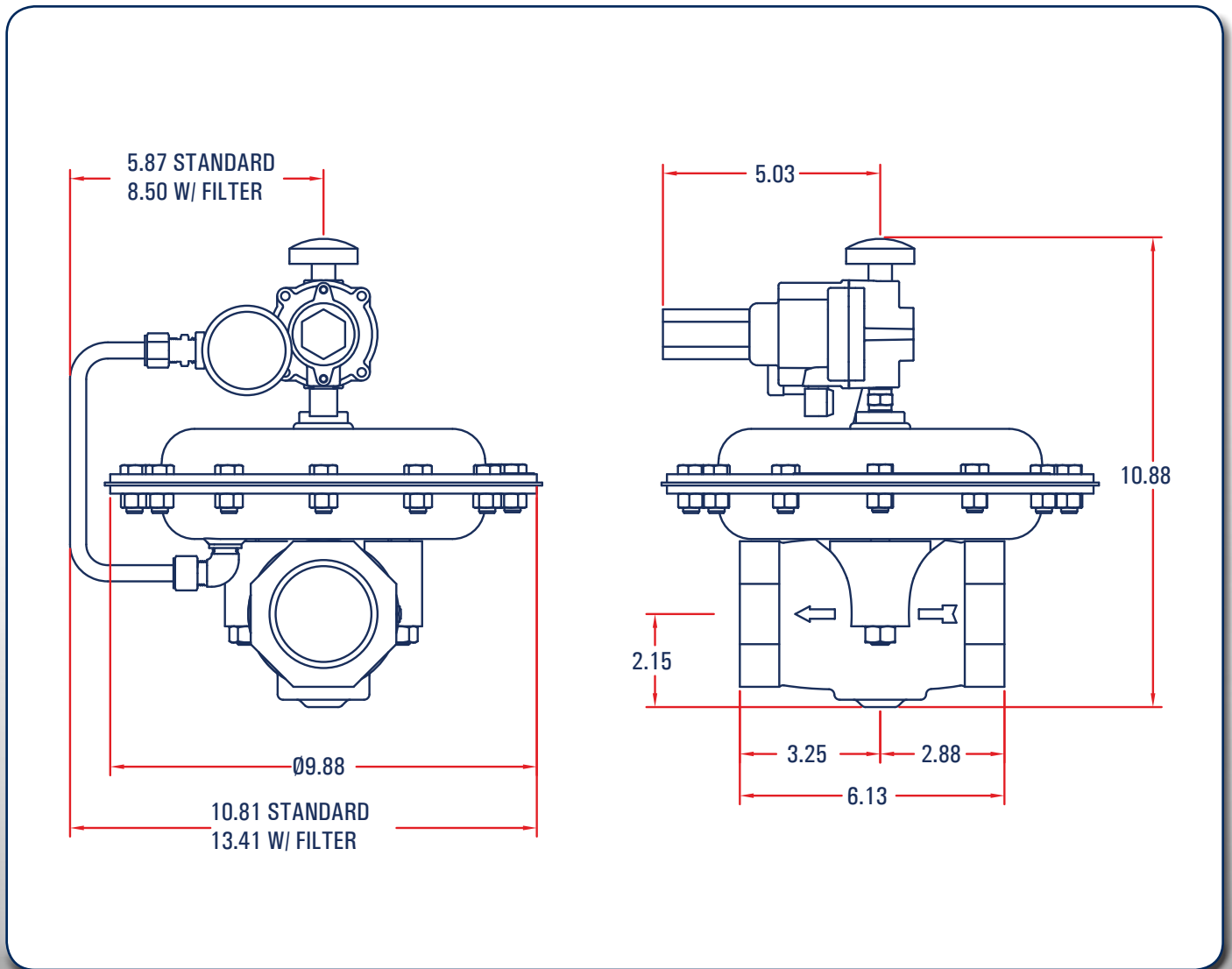
3. Inlet pressure buildup over the set pressure to achieve wide-open capacity.

4. Capacities with inlet piping equal to body size and without outlet piping.

P1808 Regulator Rebuild Kits

	Kit Includes	Part Number
P1808	Nitrile Diaphragm Assembly, Valve plug O-rings & backup O-rings, Casing/body gasket	971-180-800

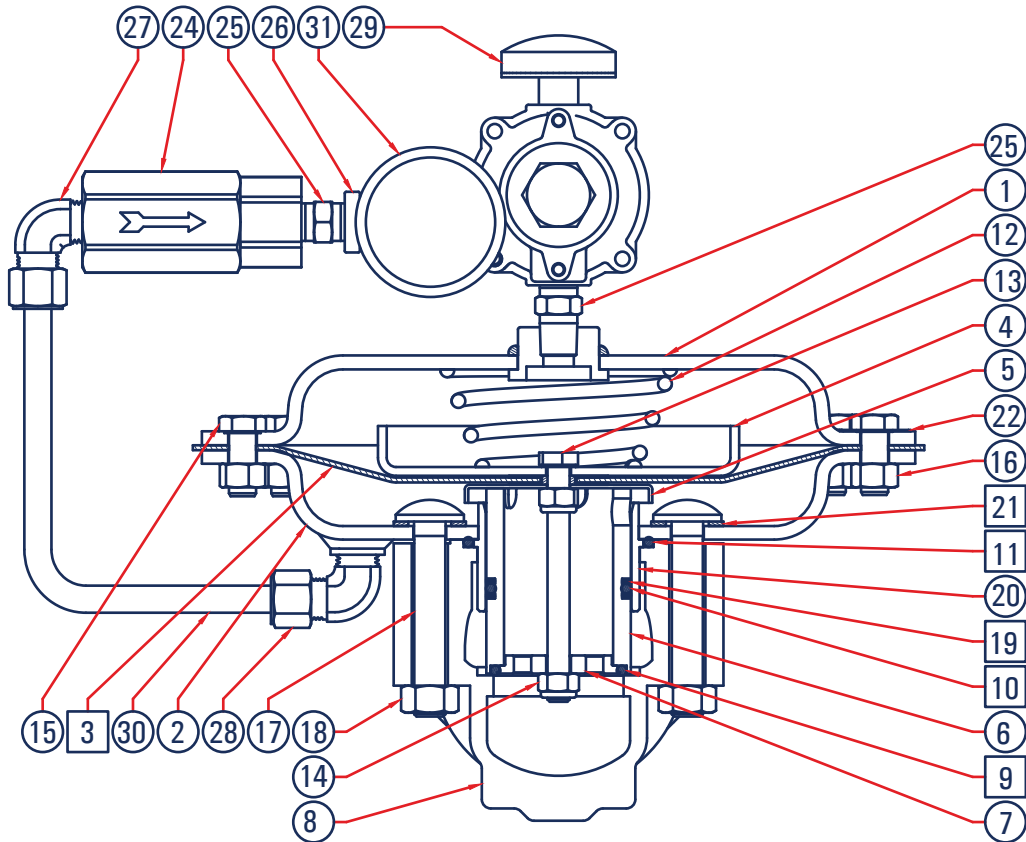
P1808 Dimensions



P1808 Parts

Item	Description	Part Number
1	Upper Casing, Steel	802-121-000
2	Lower Casing, Steel	802-122-000
3	Diaphragm Assembly	804-278-000
4	Upper Diaphragm Plate	638-080-000
5	Lower Diaphragm Plate	638-081-000
6	Valve Plug, SS	639-121-000
7	O-ring Retainer	643-207-000
Bodies		
8	2" NPT - Iron, Straight	664-387-000
	2" NPT - Steel, Straight	664-387-001
Valve Plug O-rings		
9	Valve Plug Base O-ring - Nitrile	649-309-005
10	Valve Plug O-ring - Nitrile	649-309-006
19	Valve Plug Backup Ring (2 required)	649-320-000
11	Upper Valve Plug O-ring - Nitrile	649-309-007
12	Spring	655-747-000
13	Valve Plug Bolt	648-467-006
14	Valve Plug Bolt Nut (2 required)	634-201-000

Item	Description	Part Number
15	Casing Build Screws (12 required)	648-467-007
16	Casing Build Screws Nuts (12 required)	634-151-000
17	Casing/Body Build Screws (2 required)	603-010-000
18	Casing/Body Build Screw Nuts (2 required)	634-202-000
20	Valve Plug Guide	626-113-000
21	Casing/Body Gasket (2 required)	624-085-000
22	Name Plate	632-553-000
Casing/Pilot Tube Assec.		
25	Hex Nipple - 1/4	622-056-000
29	Vent	836-009-000
31	0-160 PSI Gauge	GG20160C4
24	P590 Filter assembly	P593
26	Pipe Tee - 1/4	622-064-000
27	Straight Compression Fttg. - 3/8 x 1/4 NPT	622-065-000
28	Elbow Compression Fttg. - 3/8 x 1/4 NPT	622-066-000
30	Pilot Tubing - Standard	660-083-000
	Pilot Tubing - With P590 Filter	660-083-001
31	Plug for Elbow Port	639-099-000



- PARTS INCLUDED IN REPAIR KITS 971-180-8XX