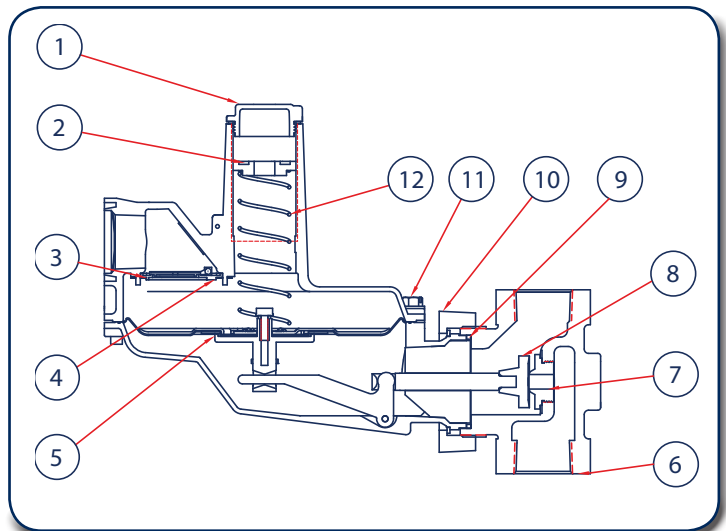


P143 Standard Parts

Item	Description	Part Number
1	Bonnet Cap with gasket for Standard, acetal	610-065-000/ 662-230-000
2	Adjustment Screw, steel	648-528-000
3	Vent Subassembly	822-036-000
4	Collar (2 required)	612-008-000
5	Diaphragms	
	Standard Diaphragm, plate & washer nitrile	804-265-001
6	Standard Bodies	
	3/4" x 3/4" Port Iron	664-357-000
	3/4" x 1" Port Iron	664-357-002
	1" x 1-1/4" Port Iron	664-357-003
7	Standard Orifice - Aluminum	
	1/8"	688-053-000
	3/16"	688-053-001
	1/4"	688-053-002
	5/16"	688-053-003
	3/8"	688-053-004
8	Main Seat, nitrile	650-168-000
	Square Ring	662-226-000
	Housing Nut & Retaining Ring,	803-073-000
	Build Screws, plated steel (8 required)	648-529-000
	Range Springs	
	3.5"-6.5" WC Red, Plated Steel	655-723-000
	5"-8.5" WC Blue, Plated Steel	655-723-001
	6"-14" WC Green, Plated Steel	655-723-002
	12"-33" WC Orange, Plated Steel	655-723-003
12	Range Springs (Not for use in LPCO)	
	.5-2 PSI - Purple, Plated Steel	655-723-004
	.5-3 PSI - Yellow, Plated Steel	655-723-005
	2-6 PSI - Black, Plated Steel	655-723-006



P143 Standard Model Flow Capacities

Capacity* in SCFH Natural Gas
(0.6 specific gravity - 14.65 psig - 65 °F)

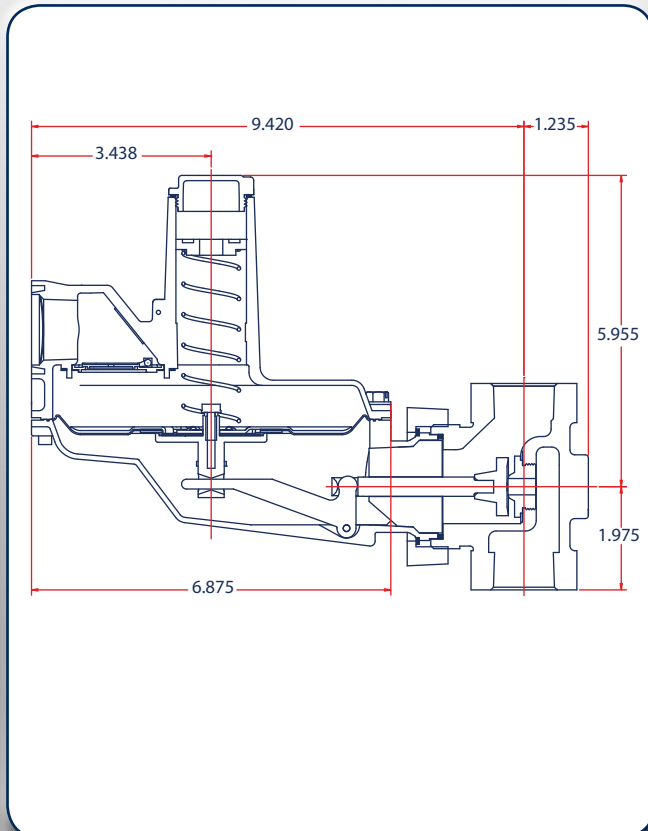
Body Size 3/4" x 3/4"							
Inlet	Orifice						
psig	1/8"	3/16"	1/4"	5/16"	3/8"	1/2"	5/8"
1/2	-	-	-	-	340	450	510
1	-	-	-	480	500	510	530
2	-	-	530	560	570	580	600
3	-	420	600	560	630	650	670
5	250	560	700	720	730	770	790
7.5	310	700	840	860	880	900	900
10	370	830	950	970	1000	1020	1020
20	530	1200	1220	1240	1250	1270	-
40	860	1570	1330	1340	1450	-	-
60	1200	1660	1520	-	-	-	-
80	1500	1710	-	-	-	-	-
125	1800	1900	-	-	-	-	-

Body Size 3/4" x 1" • 1" X 1"							
Inlet	Orifice						
psig	1/8"	3/16"	1/4"	5/16"	3/8"	1/2"	5/8"
1/2	-	-	-	-	350	460	520
1	-	-	-	480	550	600	650
2	-	-	530	700	840	880	780
3	-	420	650	870	1000	920	810
5	250	580	890	1120	1160	950	970
7.5	310	700	1140	1340	1270	1140	1060
10	370	840	1360	1500	1330	1200	1180
20	530	1230	2000	1600	1480	1400	-
40	860	1700	2000	1640	1900	-	-
60	1200	1900	2000	-	-	-	-
80	1540	2000	-	-	-	-	-
125	2100	2100	-	-	-	-	-

Body Size 1" X 1-1/4" • 1-1/4" X 1-1/4"							
Inlet	Orifice						
psig	1/8"	3/16"	1/4"	5/16"	3/8"	1/2"	5/8"
1/2	-	-	-	-	350	460	520
1	-	-	-	480	550	680	760
2	-	-	530	700	840	1020	1030
3	-	420	650	870	1030	1200	1050
5	250	580	890	1180	1350	1490	1060
7.5	310	700	1140	1500	1610	1580	1060
10	370	840	1360	1700	1710	1800	1180
20	630	1230	1600	1800	1900	1900	-
40	860	1800	2200	1900	2000	-	-
60	1200	2100	2400	-	-	-	-
80	1550	2200	-	-	-	-	-
125	2250	2400	-	-	-	-	-

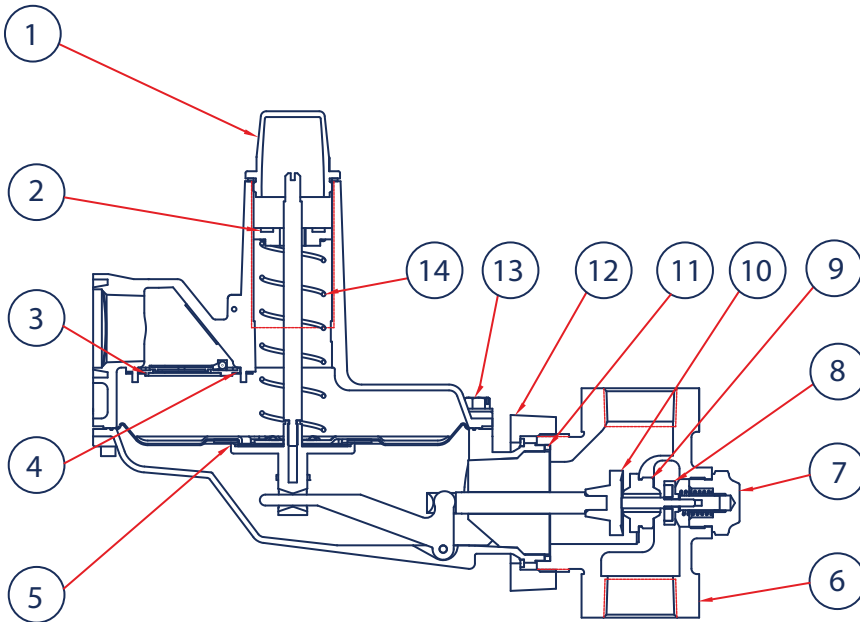
*Consult manufacturer for test conditions

P143 Standard Dimensions

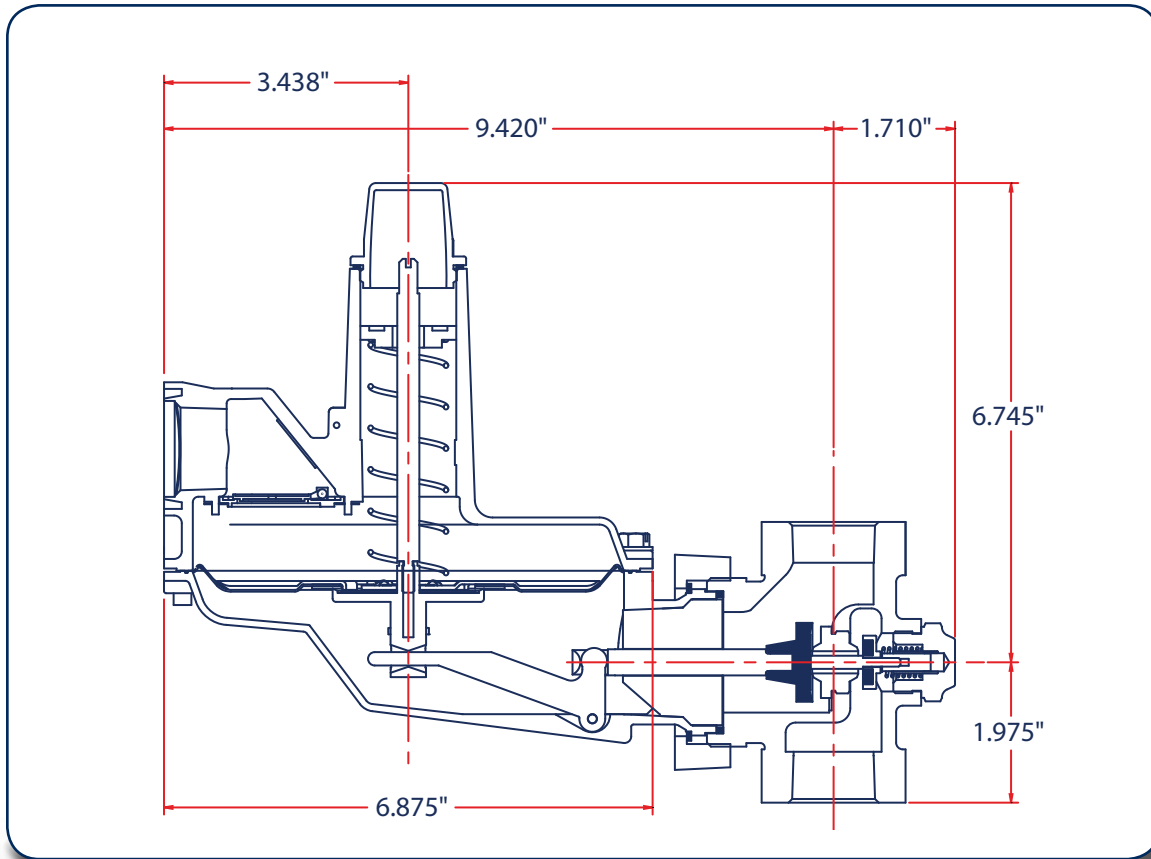


P143 Low Pressure Cut Off Parts

Item	Description	Part Number	
1	Bonnet Cap with gasket for LPCO, Aluminum	610-062-000/ 662-230-000	
2	Adjustment Screw, steel	648-528-000	
3	Vent	Collar (2 required)	612-008-000
4		Subassembly	822-036-000
5	Diaphragms		
	LPCO Diaphragm, plate & washer, nitrile	804-265-000	
6	LPCO Bodies	3/4" x 3/4" Port Iron	664-351-000
		3/4" x 1" Port Iron	664-351-002
		1" x 1" Port Iron	664-351-001
		1" x 1-1/4" Port Iron	664-351-003
		1-1/4" x 1-1/4" Port Iron	664-351-004
7	LPCO Bottom Plug Assembly	810-043-000	
8	LPCO Cutoff Seat Assembly	819-009-000	
9	LPCO Orifice - Aluminum	1/4" - Double Sided	688-052-000
		5/16" - Double Sided	688-052-001
		3/8" - Double Sided	688-052-002
		7/16" - Double Sided	688-052-003
10	Main Seat, nitrile	650-168-000	
11	Square Ring	662-226-000	
12	Housing Nut & Retaining Ring	803-073-000	
13	Build Screws, plated steel (8 required)	648-529-000	
14	Range Springs	4.5"-7.5" WC Red, Plated Steel	655-723-000
		6"-9.5" WC Blue, Plated Steel	655-723-001
		7.5"-15" WC Green, Plated Steel	655-723-002
		13.5"-29" WC Orange, Plated Steel	655-723-003



P143 LPCO Dimensions



P143 LPCO Flow Capacities

Capacity* in SCFH Natural Gas
(0.6 specific gravity – 14.65 psig –65 °F)

Pipe Size (inches)	Inlet Pressure (psig)		Outlet Pressure Red Spring 4 – 7-1/2" w.c. Blue Spring 6-1/2" – 9-1/2" w.c.				Outlet Pressure Green Spring 7-1/2 – 15" " w.c.			
			Orifice Size, Inches				Orifice Size, Inches			
			7/16	3/8	5/16	1/4	7/16	3/8	5/16	1/4
3/4" x 3/4"	1/2	.034	240	180	90		140	120	90	
	1	.068	400	300	200	100	250	200	160	90
	2	.137	580	420	300	140	370	320	240	140
	5	.344	800	750	600	230	580	530	460	220
	10	.684	1050	990	740	380	780	720	700	370
	15	1.03	1140	1050	950	46	920	860	800	480
	25	1.72		1100	1100	640		900	1000	660
	40	2.75			1300	870			1300	910
	60	4.14				1160				1160
3/4" x 1" 1" x 1"	1/2	.034	270	210	90		160	120	90	
	1	.068	430	310	210	100	260	230	160	90
	2	.137	650	420	300	140	410	350	270	140
	5	.344	1100	750	610	230	800	730	470	220
	10	.684	1300	1120	760	380	1220	1090	740	370
	15	1.03	1300	1300	960	460	1300	1300	930	480
	25	1.72		1300	1300	640		1300	1160	660
	40	2.75			1300	870			1300	910
	60	4.14				1160				1160
1" x 1-1/4" 1-1/4" x 1-1/4"	1/2	.034	270	210	90		160	120	90	
	1	.068	430	310	210	100	260	230	160	90
	2	.137	650	420	300	140	430	350	270	140
	5	.344	1100	750	510	230	870	730	470	220
	10	.684	1300	1120	760	380	1300	1090	740	370
	15	1.03	1300	1300	960	460	1300	1300	930	480
	25	1.72		1300	1300	640		1300	1160	660
	40	2.75			1300	870			1300	910
	60	4.14				1160				1160

*Consult manufacturer for test conditions

BelGAS™

A DIVISION OF MARSH BELLOFRAM



BelGAS, the leader in pressure regulator design, offers the Oil, Gas and Pipeline Industry the same precision and reliability in flow control and pressure control that the control valve market has enjoyed for over 40 years. At BelGAS, we have raised the industry standard for quality, accuracy, and dependability. Even more important is that we provide this value to our customers at an economical price.

The BelGAS product offering includes pressure regulators for gas, air and propane service; explosion-proof I/P transducers for electro-pneumatic applications; process and test gauges for pressure measurement in general and severe service and a wide assortment of bimetal thermometers and thermowells for both high and low temperature indication.

Whether the requirements call for a high pressure flow condition, a low pressure relief application or the regulation of fuel or process gas in a system, BelGAS can provide a dependable and cost effective solution.