

### How It Works:

The pump is simply screwed on to a 1/4" FNPT port attached to the measured variable chamber of the pilot. The needle valve on the measured variable chamber is opened allowing the pump to fill with sensing pressure. Once the sensing line block valve is closed, the sensing pressure is trapped in the measured variable chamber and the pump resulting in a fixed volume of gas in the measured variable chamber and the pump. As the adjustment of the pump is turned clockwise, the piston of the pump will move towards the connection port causing a decrease in the fixed volume of the measured variable chamber. As a result of the decreased volume, the pressure in the measured variable chamber will increase. The opposite reaction will take place when the adjustment screw is turned counter-clockwise.

SP Port Definitions	Port Size	Item
Output	1/4" FNPT	A

SP Adjustments	Item
Setpoint Adjustment	1

### Usage:

- Convenient adjustment of any VRP Series Pilot Setpoint
- Check the setpoint accuracy of any VRP Series Pilot Setpoint
- Can be used with any existing pressure control device that can accept a false signal

### Benefits:

- Simple and Convenient
- Inexpensive
- Eliminates need for nitrogen bottles or inconvenient pressure testing equipment
- Convenient for Monitor Regulators where pipeline pressure is below the desired setpoint of the VRP Series Pilot

### Features:

- The piston is equipped with primary and secondary o-rings for better sealing and reliability
- The body and piston are made from anodized high tensile strength aluminum
- The adjustment screw is 316 stainless steel with a hard coated insert to prevent the screw from stripping out the threads

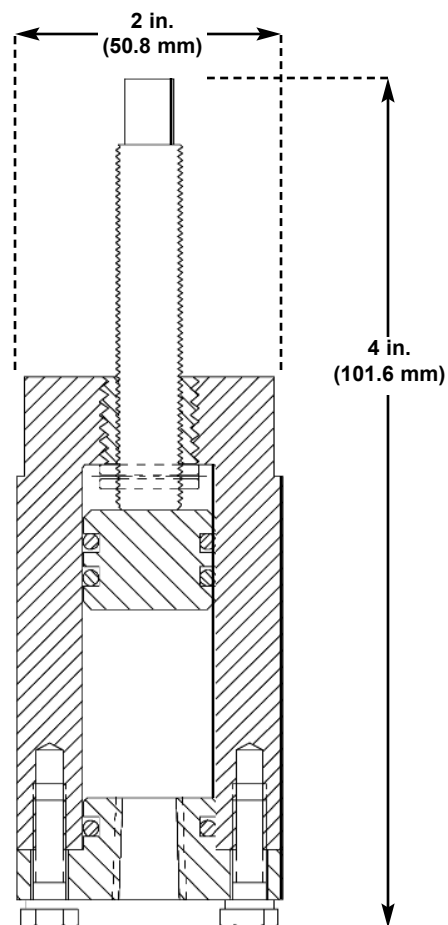


Table 2.0 - Application Guidelines for AB Series Atmospheric Bleed Control	VRP-CH Series Pilot	VRP-B-CH Series Pilot	VRP-SB-CH Series Pilot	VRP-SB-PID Series Controller	HPP-4 Series Positioner	HPP-5 Series Positioner	HPP-SB Series Positioner	EFP Positioner	Notes
<b>Instrumentation Options</b>									
Bleed to Pressure System BPS™	•	•	•		•	•	•	•	1
AB Series Atmospheric Bleed Control	•	•	•	•	•	•	•	•	
NBV Series No-Bleed Valve	•	•			•	•			2
DPS-2 Series Non-Bleed Sensor		•				•			3
PS-2 Series Non-Bleed Sensor	•				•				3
SP Series Setpoint Pump	•	•	•	•					
RSM Series Remote Setpoint Module	•	•	•	•					
Panel Mounting	•	•	•	•				•	
Stainless Steel Option	•	•	•	•	•	•	•		
VB Series Volume Booster	•			•	•				4
QEV Series Quick Exhaust Valve	•		•	•	•		•		
I/P Transducer					•	•	•		
SLV Series Signal Lock Valve					•	•	•		

1. BPS<sub>a</sub> is limited to pressure systems below 400 psig. Consult Becker for application assistance. NBV No-Bleed Valves may only be utilized when PDischarge[60 psig (414 kPa) and/or PSupply[150 psig (1034 kPa).
2. PS-2 & DPS-2 Non-Bleed Sensors must be utilized when PDischarge>60 psig (414 kPa) and/or PSupply>150 psig (1034 kPa).
3. VB Series Volume Boosters are necessary for Power Plant Regulation, Surge Control Applications, or when Large Model RPDA & LPDA Series Actuators are utilized.

**\*CAUTION:** This information is intended as a guideline for application of Becker Precision Equipment products. Becker strongly recommends consulting Becker Engineering prior to application of any product.



Additional Resources are available on our website. Sales literature, sizing software, and technical manuals are available for download at [www.bpe950.com](http://www.bpe950.com)

Technical Specifications	
Maximum Operating Pressure	1500 psig
Operative Ambient	
Temperature Range	-20°F to 160°F
(-29°C to 71°C)	
Connection Port Size	1/4" FNPT
Approximate Weight	1.5 pounds (0.682 kg)
Materials of Construction	
External Parts	Anodized AL 2024316 SS available (for marine environments)
Internal Parts	Anodized AL 2024
Adjustment Screw	316 SS
Screw Insert	Hard Anodized Aluminum
Seals	buna-n

Table 2.0 - Technical Specifications for SP Setpoint Pump

#### Repair or Rebuild?

Becker Instrumentation rebuild kits are available from stock for regular maintenance or emergency needs. To order repair kits for your Becker products call us at (800) 323-8844, or contact your local Becker sales Representative.

AB-200 Rebuild Kit  
Becker Part Number 25-1498

**Toll-Free Assistance!**

 **(800) 323-8844**  
USA & Canada



Flow Control

Dresser Flow Control, Becker Operations  
1550 Greenleaf Avenue  
Elk Grove Village, Illinois 60007 USA  
Phone: 847-437-5940  
Fax: 847-437-2549  
Toll Free: 800-323-8844

E-mail: [becker@flowcontrol.dresser.com](mailto:becker@flowcontrol.dresser.com)  
Website: [www.bpe950.com](http://www.bpe950.com)