

### RV Series Pressure Relief Valves

Pressure relieving device for protection of pneumatic instrumentation

#### Description:

The Becker Pressure Relief Valve is designed to be used with regulated natural gas supply systems that provide power to pneumatic valve actuators and instrumentation. In the event of supply gas regulator failure, the Pressure Relief Valve protects pneumatic components from overpressure. The Pressure Relief Valve is an inexpensive, compact, maintenance free safety mechanism which will ensure protection of your pneumatic actuators and instrumentation.



**Figure 1- RV Series Pressure Relief Valve**  
The RV Series Pressure Relief Valve protects pneumatic actuators and instrumentation from overpressure. RV Relief Valves are available in both brass or cad-plated steel construction.

#### Usage:

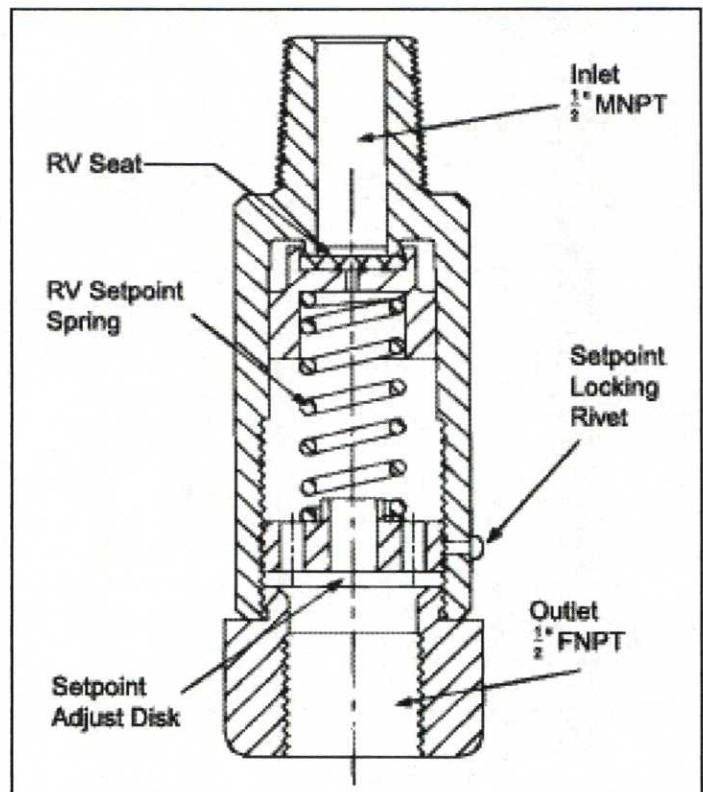
- Becker Model FD-1 Supply Gas Systems
- Becker Model FD-2 Supply Gas Systems
- Becker Model PIC Pressure Instrumentation Columns
- Becker Power Pack Supply Gas Systems

#### Compatibility:

- Specifically designed for use with natural gas as the flow medium
- All Becker pneumatic instrumentation
- All Becker pneumatic valve actuators

#### Features:

- The Becker Pressure Relief Valve automatically resets to its original position, forming a bubble-tight seal
- Setpoint pressure of each Relief Valve is permanently stamped on the Valve for easy reference
- For safety purposes the setpoint pressure IS NOT field adjustable
- Extra-long guided spring provides excellent repeatability and accuracy
- Available in brass or steel (cad-plated)
- Setpoint ranges from 25 psig to 400 psig
- Weather resistant, allowing for usage in outdoor stations
- Threaded outlet port allows RV exhaust to be ported to a vent system



**Figure 2- How It Works**

The Becker Pressure Relief Valve prevents overpressure of pneumatic valve actuators and instrumentation. When the system pressure exceeds the setpoint of the RV, the relief valve seat opens slightly to vent excess pressure, protecting downstream components. When system pressure returns to normal, the Pressure Relief Valve closes, forming a bubble-tight seal.

Specifications	
<b>Weight:</b> 0.8 lbs. (0.36 kg)	<b>Ports:</b> Inlet: 1/2 inch MNPT Outlet: 1/2 inch FNPT
<b>Flow Capacity:</b> See page 3 for Calculations for Flow Capacity of Becker RV Series Pressure Relief Valve	<b>Operating Temperature:</b> -30°F to 160°F (-22°C to 85°C)
<b>Dimensions:</b> See Figure 3 for RV dimensional information	<b>Materials of Construction:</b> Body: brass or steel (cad-plated) Spring: stainless steel Seat Disc: buna-N

Table 1.0-  
RV Series Pressure Relief Valves  
Model Number and Part Number Information

Setpoint Pressure	Model Number	Body Material	Part Number
25 psig (172 kPa)	RV-25-B	Brass	04-2516
25 psig (172 kPa)	RV-25-S	Plated Steel	04-2522
50 psig (345 kPa)	RV-50-B	Brass	04-2553
50 psig (345 kPa)	RV-50-S	Plated Steel	04-2556
100 psig (690 kPa)	RV-100-B	Brass	04-2456
100 psig (690 kPa)	RV-100-S	Plated Steel	04-2567
150 psig (1034 kPa)	RV-150-B	Brass	04-2510
150 psig (1034 kPa)	RV-150-S	Plated Steel	04-2512
200 psig (1379 kPa)	RV-200-B	Brass	04-2524
200 psig (1379 kPa)	RV-200-S	Plated Steel	04-2547
250 psig (1724 kPa)	RV-250-B	Brass	04-2531
250 psig (1724 kPa)	RV-250-S	Plated Steel	04-2526
300 psig (2069 kPa)	RV-300-B	Brass	04-2530
300 psig (2069 kPa)	RV-300-S	Plated Steel	04-2548
400 psig (2758 kPa)	RV-400-B	Brass	04-2525

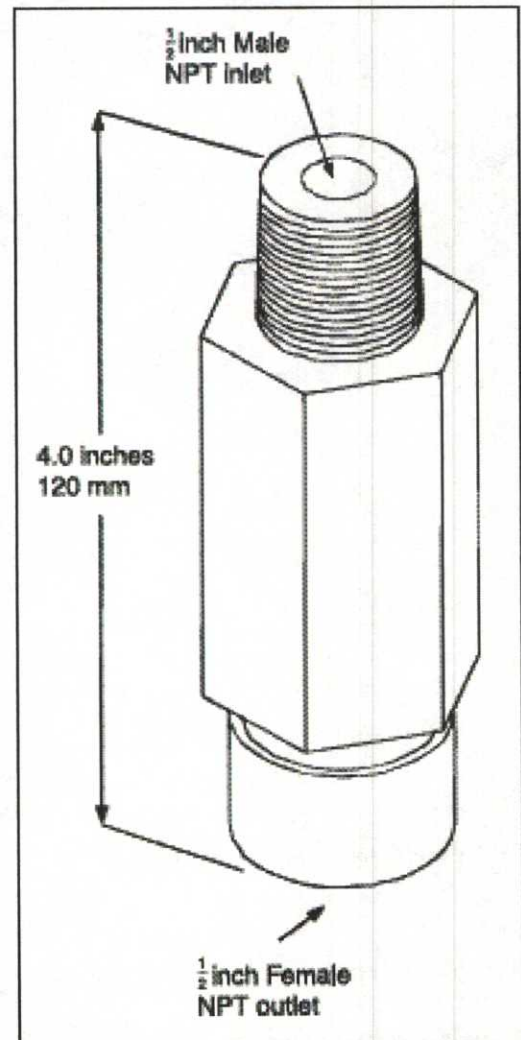


Figure 3 - RV Series Pressure Relief Valve  
Dimensional information for Becker RV Series Pressure Relief Valve