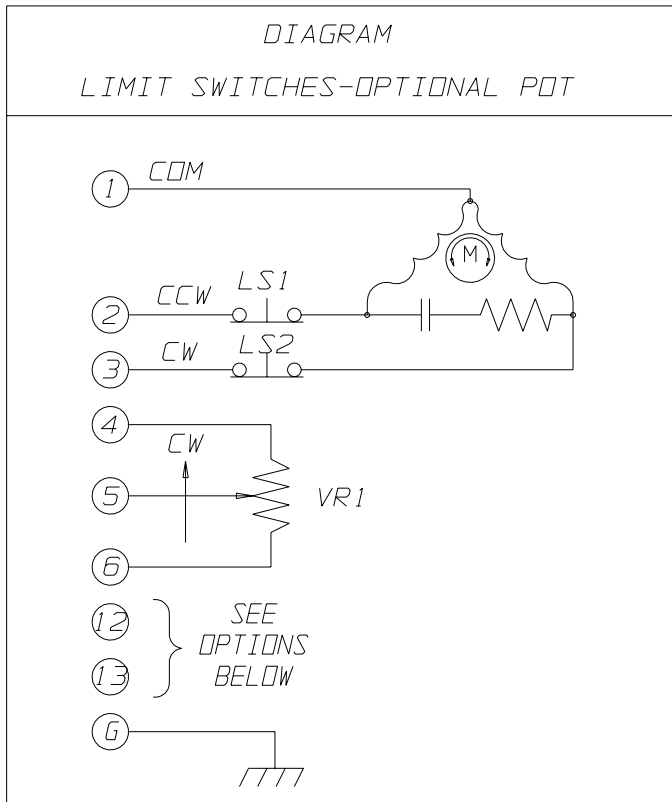


BASIC PACKAGE

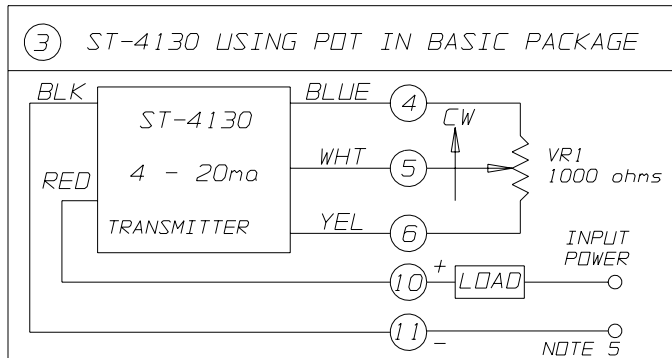
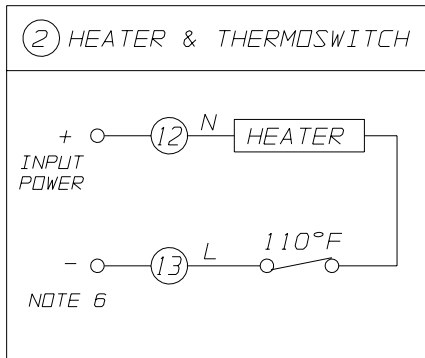
NOTES:



- 1) THE SM-1150 IS 120 VAC CONTINUOUS DUTY MOTOR).
- 2) AC POWER APPLIED TO TERMINALS 1 & 3 RESULTS IN LOWERING SET POINT. AC POWER APPLIED TO TERMINALS 1 & 2 RESULTS IN RAISING SET POINT.
- 3) LIMIT SWITCH LS1 (WHITE CAM) REMOVES POWER FROM THE MOTOR AT HIGH SET POINT, AND LS2 (RED CAM) REMOVES POWER FROM THE MOTOR AT LOW SET POINT.
- 4) TERMINAL PIN G IS GROUND AND IS FURTHER IDENTIFIED BY A GREEN SCREW AND WIRE.
- 5) TRANSMITTER WITH ST-4130 4-20ma. TRANSMITTER WIRED AS SHOWN THE CURRENT SIGNAL WILL BE DECREASING FOR "CW" ROTATION OF THE ACTUATOR OUTPUT SHAFT (AS VIEWED FROM OUTPUT SHAFT END). INPUT POWER (24Vdc) NEEDED TO OPERATE ST-4130 TO BE SUPPLIED BY THE CUSTOMER.
- 6) HEATER WIRED TO TERMINALS 12 & 13 AS SHOWN REQUIRED 120 Vac (30 WATTS).
- 7) RECOMMENDED WIRE DIAMETER FOR THE MOTOR CONNECTIONS FOR THE SM-1150 IS 14 g.a. SHORT RUN. ADDITIONALLY RECOMMENDED 18 g.a. WIRE FOR THE ST-4130 FEEDBACK TRANSDUCER.

(NOTE 6)

(NOTE 5)



MOTOR CONNECTION

LOWER	RAISE
AC 1 (NEUTRAL)	AC 1 (NEUTRAL)
AC 2 (LINE)	AC 3 (LINE)

BECKER PRECISION EQUIPMENT INC.	APPROVED BY:
	DRAWN BY: TRD
REVISED: 6-15-00	DATE: 9-20-99
REVISED BY: RK	SCALE: N. T. S.
WIRING DIAGRAM	
FOR SM1110, SM1150 WITH 4-20ma TRANSMITTER	DRAWING NUMBER 25-8182