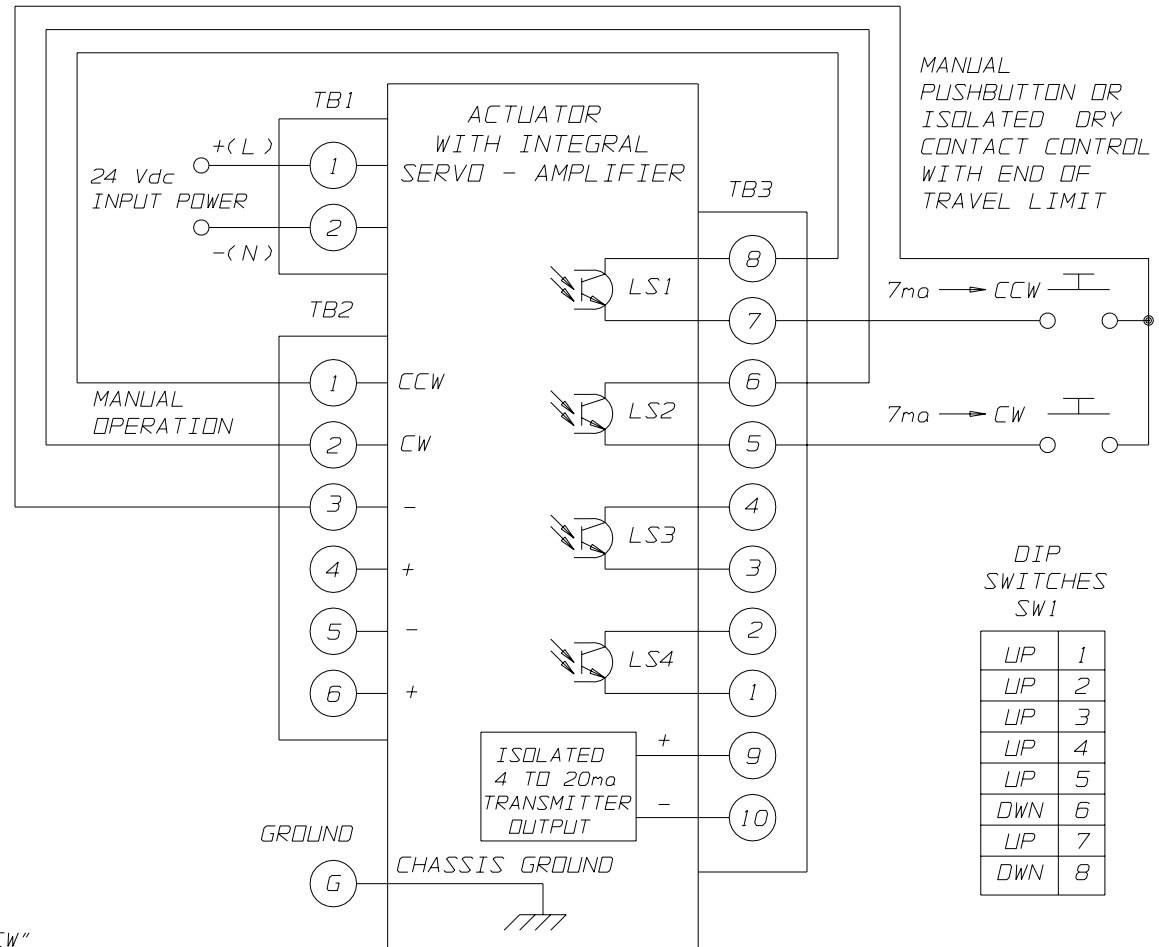


NOTES:

- 1) INPUT POWER:
SM-1010 AND SM-1020
INPUT POWER TO TB-1 (1 & 2) VS 24 Vdc (AS SHOWN)
- 2) COMMAND:
A "CW" COMMAND SIGNAL (TERMINAL 5 ON TB-3)
WILL CAUSE CLOCKWISE ROTATION OF THE OUTPUT
SHAFT WHICH WILL OPEN bpe CNTRL VALVE.
- 3) LIMIT SWITCH:
THE LIMIT SWICHES LS1 & LS2 ARE SET OFF AT THE
TRAVEL EXTRAMES.
(LS1 - VALVE CLOSE), (LS2 - VALVE OPEN).
- 4) LIMIT SWITCH:
TWO ISOLATED LIMIT SWITCHES (LS3 & LS4) ARE
AVAILABLE FOR CUSTOMER USE. THESE TWO LIMIT
SWITCHES ARE INDEPENDENTLY SET OF ONE ANOTHER
AND CAN BE SET TO TRIP ON OR OFF ANYWERE WITHIN
THE ACTUATORS RANGE BY ADJUSTING TRIM POTS FOR
LS3 & LS4 ON UPPER P.C. BOARD.
- 5) AVAILABLE TORQUE IS DEPENDENT ON SPEED CALIBRATION.
- 6) DEADBAND:
THE DEADBAND POT LOCATED ON THE LOWER P.C. BOARD
IS USED TO CONTROL THE "SENSITIVITY" OF THE
OPERATING SERVO LOOP. CLOCKWISE ROTATION OF THE
DEADBAND POT WILL DECREASE SENSITIVITY OF THE LOOP.
- 7) TRANSMITTER:
THE 4 & 20mA SET POINT POTS ARE LOCATED ON THE LOWER
P.C. BOARD OPPOSITE SIDE OF THE HI & LO SET POINTS.
INPUT POWER TO TB3-9 & 10 REQUIRES AN EXTERNAL DC
POWER SUPPLY IN THE RANGE OF 12Vdc (MIN) TO 36Vdc
(MAX) AND A LOAD CONNECTED IN SERIES WITH ONE LEAD
FROM THE POWER SUPPLY AS SHOWN.

<u>POWER SUPPLY VOLTAGE - 8Vdc</u>	<u>LOAD RESISTANCE</u>
0.020A MAX.	

TRANSMITTER WILL PRODUCE AN INCREASING SIGNAL FOR "CCW"
ROTATION . TRIM THE 4mA SET POINT POT OUT AT THE VALVE
OPEN POSITION TRIM THE 20mA SET POINT POT OUT AT THE
VALVE CLOSED POSITION.
- 8) GROUND:
GROUND IS IDENTIFIED BY A GREEN SCREW ON HOUSING OF
ACTUATOR.
- 9) REFERENCE:
SEE IM-0588 FOR FURTHER INFORMATION ON THE
SM-1000 OPERATION.



BECKER PRECISION EQUIPMENT INC.
950 PRATT BLVD., ELK GROVE, ILL. 60007

SCALE: N. T. S.	APPROVED BY:	DRAWN BY:
DATE: 2-28-96	REVISED DATE:	REVISED BY:

WIRING DIAGRAM

24 V. PUSHBUTTON INPUT

DRAWING NUMBER
05-3321