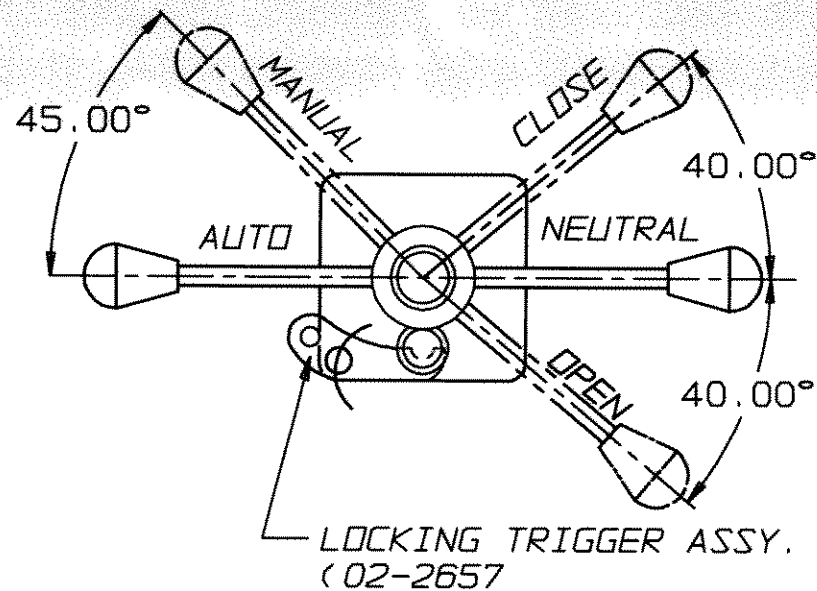



HANDLE OPERATING POSITIONS



| | | | |
|---|---|---------------------------|---------|
| DRESSER Flow Solutions Becker Operations | APPROVED BY: | DWG. SIZE B | |
| |  SCALE: nts | DRAWN BY | DATE: |
| | | TS | 9-18-90 |
| | REVISED BY: TRD | REVISED DATE: 3-16-05 | |
| MANUAL CONTROL VALVE | | | |
| MCV-3 W/LOCKING PROVISION | | DRAWING NUMBER 02-2630 | |