

Model FACD-1500 Filter Deodorizer

The Becker Model FACD-1500 Filter Deodorizer removes odorant and liquid hydrocarbons. Additionally the FACD-1500 filters supply gas for control valves. Designed for use with all pneumatic instrumentation, the FACD-1500 Filter-Deodorizer provides superior filtration with 110 square inches of 10 micron filtering media and 2.0 pounds of activated charcoal. The FACD-1500 incorporates an easy-to-replace "spin on" cartridge made up of a high quality, high capacity nylon and fiberglass filter element reinforced with stainless steel mesh. All Becker FD-1500's are fully hydrotested to 2.5 times the working pressure to ensure the integrity of the pressure vessel.

Usage:

All pneumatic instrumentation
Removes odorant
Removes liquid hydrocarbons

Features:

- Removes odorant from supply gas
- Protect control instrumentation from liquid hydrocarbons
- Protect control instrumentation from dirt.
- Superior capacity filter element.
- Quick change cartridge easily replaced.
- FACD-1500 hydrostatically tested to 2250 psig.

Specifications:

MAOP: 1500 psig (10,340 kPa)
*all units hydrotested to 2250 psig (15,510 kPa)
Flow Capacity: 50 SCFM (1.4 m³/hr)
Max.Temp: 200°F (93°C)
Filtration: 10μ nominal
(110 in.² filtration media)
Deodorizing Media: 2 lbs. (0.9 kg) Activated Charcoal
Body: carbon steel
Inlet Port: ¼" NPT
Outlet Port: ¼" NPT
Drain: ¼" NPT with needle valve
Dimensions: 20" (508 mm) length
4-½" (114 mm) diameter
Mounting: 2" pipe mount standard for all loose equipment
custom bracket (standard for all Becker control valves)
Weight: 29 lbs. (13 kg)

Models Available:

FACD-1500 Filter-Dryer Part Number 21-3022
FACD-1500 Replacement Cartridge Part Number 21-3021

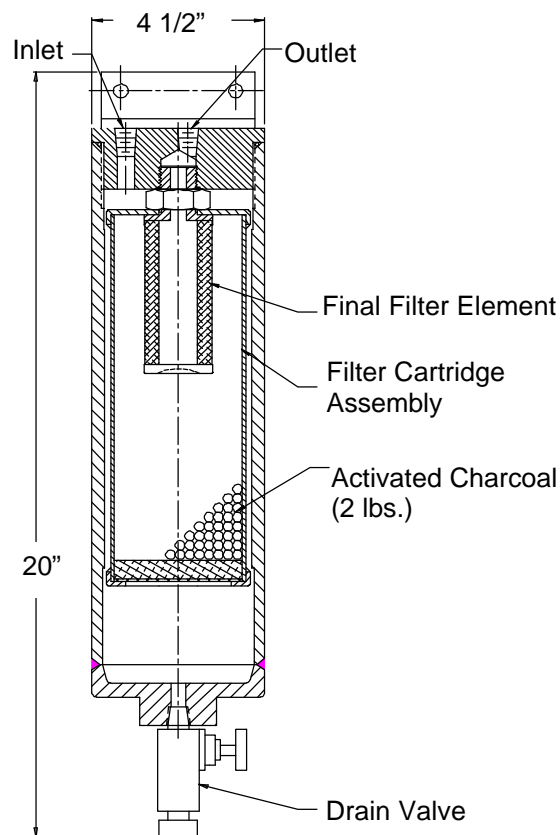


Figure 1- Model FACD-1500 Filter-Dryer

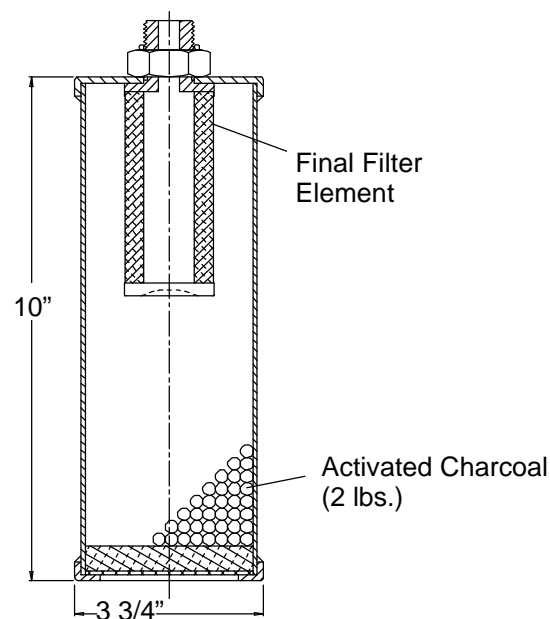


Figure 2- Model FACD-1500 Filter-Dryer Replacement Cartridge

Becker Also Manufactures the Following Filter-Dryer Products:

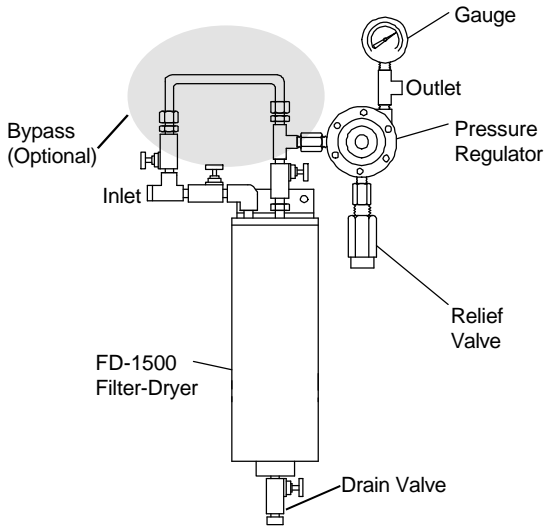


Figure 3- Becker's **Model FD-1** Supply Gas System incorporates the Model FD-1500 Filter-Dryer. The FD-1 provides an economical Supply Gas System with complete regulation, filtration, dehydration and relief in a single package.

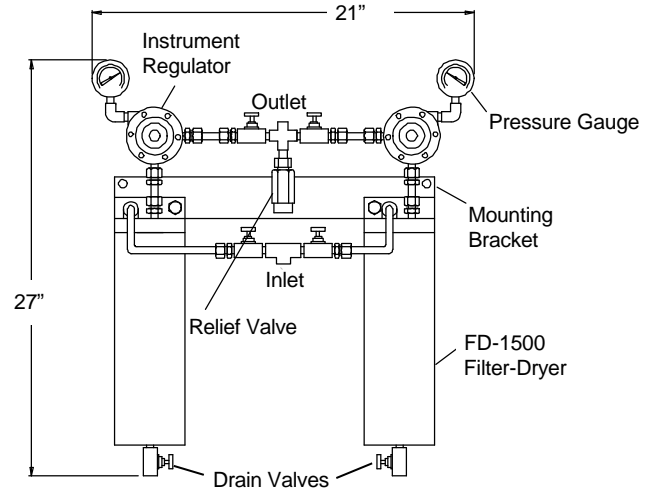


Figure 4- Becker's **Model FD-2** Supply Gas System incorporates two Model FD-1500 Filter-Dryers. The FD-2 provides a top-of-the-line Supply Gas System with complete redundancy of regulation and filtration.

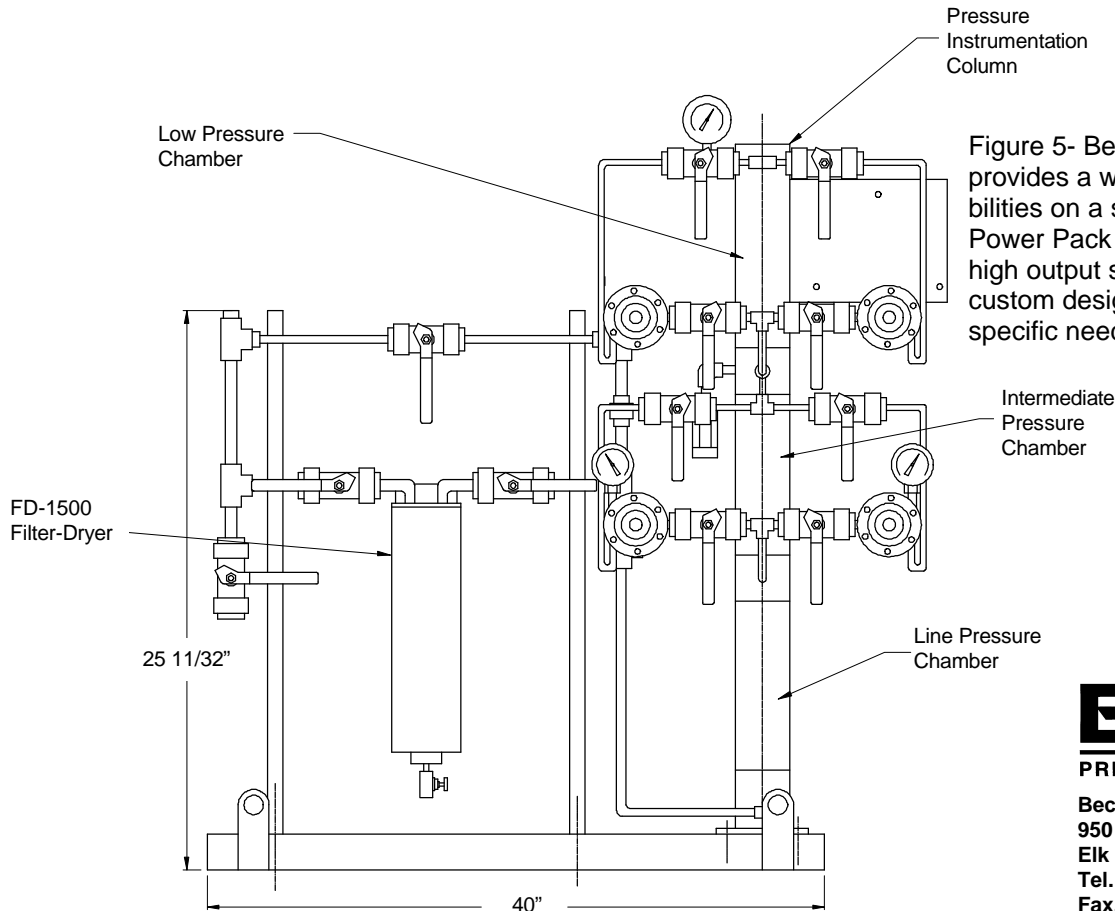


Figure 5- Becker's **Power Pack System** provides a wide range of supply gas capabilities on a skid-mounted package. The Power Pack is designed for high volume, high output systems. Several standard or custom designs are available to suit each specific need.

BECKER
PRECISION EQUIPMENT INC.

Becker Precision Equipment, Inc.
950 Pratt Boulevard
Elk Grove Village, Illinois 60007 USA
Tel. (847) 437-5940
Fax. (847) 437-2549
Toll-Free (800) 323-8844

E-Mail: Becker@bpe950.com
Website: www.bpe950.com