

CAB Series Fiberglass Cabinet Enclosures

Fiberglass Enclosure for Protection of Equipment

Description

The Becker CAB Series Fiberglass Cabinet Enclosure is ideal for the safe enclosure of Becker Below Ground Regulators, pressure instrumentation columns, and other regulating station equipment. The cabinet is particularly useful in areas of extreme weather or fluctuating elemental conditions. When regulating components must be heated, the cabinet minimizes ambient heat loss.



Figure 1 - CAB Series Fiberglass Cabinet Enclosure
The CAB is an inexpensive alternative to buildings.

Options

- Lexan window for convenient inspection
- Complete explosion proof pre-wiring to specifications
- 30" x 30" (762 mm x 762 mm) rear access door for increased accessibility
- 1" thick interior insulation for protection against extreme weather
- Mounting bracket available for Below Ground Regulator installations

For more information on fiberglass cabinet designs, contact Becker Precision Equipment.

Features

- Compact size fits in small areas and typically does not require a building permit
- Easy access lift door provides shelter for operating personnel
- Door struts automatically lock door in open position for easy access
- Reinforced base flange can be secured with bolts
- Optional mounting bracket available for floating installation
- All hardware is stainless steel standard
- All opening parts have locking capabilities

Usage

- Becker Below Ground Ball Valve Regulators
- Becker PIC Pressure Instrumentation Columns
- Becker VRP-Pilots and other control instrumentation
- Allows use of less expensive catalytic heaters



Figure 2 - CAB installed on Becker Below Ground Regulator

The CAB is the ideal companion for Becker Below Ground Regulators. The cabinet provides an inexpensive and compact enclosure to actuator topworks. Additionally, the cabinet allows efficient implementation of heat when necessary.

Table 1 - CAB Specifications and Materials of Construction

Specifications	
Weight	80 lbs. (36 kg)
Dimensions	60" H x 44" W x 36" D (1524 mm H x 1118 mm W x 914 mm D)
Materials of Construction	
Cabinet	Pigmented fiberglass
Struts	304 Passivated stainless steel
Hinges	316 Stainless steel (full width)
Locking	304 Passivated stainless steel
Handle	316 Stainless steel
Color	Sea mist green

Options

- Front Lexan window
- Complete explosion proof pre-wiring to specifications
- 30" x 30" (762 mm x 762 mm) rear access door
- 1" thick interior insulation for greater protection against extreme weather conditions
- Mounting bracket available for below ground ball valve regulator installations

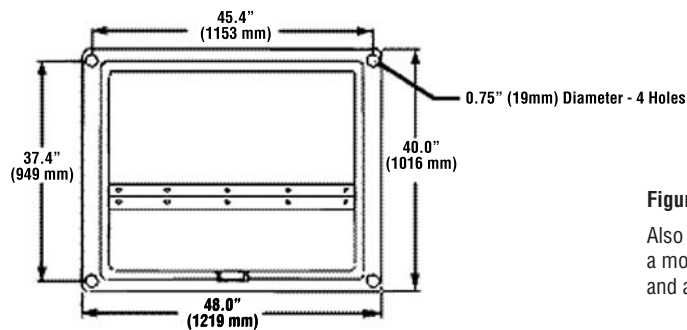
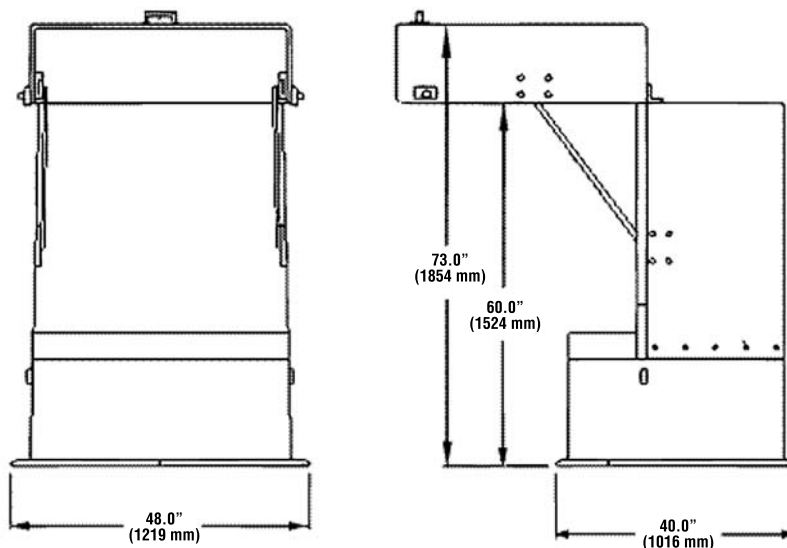


Figure 3 - Fiberglass Cabinet Dimensions

Also available on the is a 30" x 30" (762 mm x 762 mm) rear access door, a mounting bracket for below ground ball valve regulator installations, and a front Lexan window.



**Becker Precision Equipment
Dresser, Inc.**

1550 Greenleaf Avenue
 Elk Grove Village, Illinois 60007 USA
 Ph: 847.437.5940 Fax: 847.437.2549
 Toll Free Phone: 800.323.8844 Email: becker@dresser.com



www.dresser.com